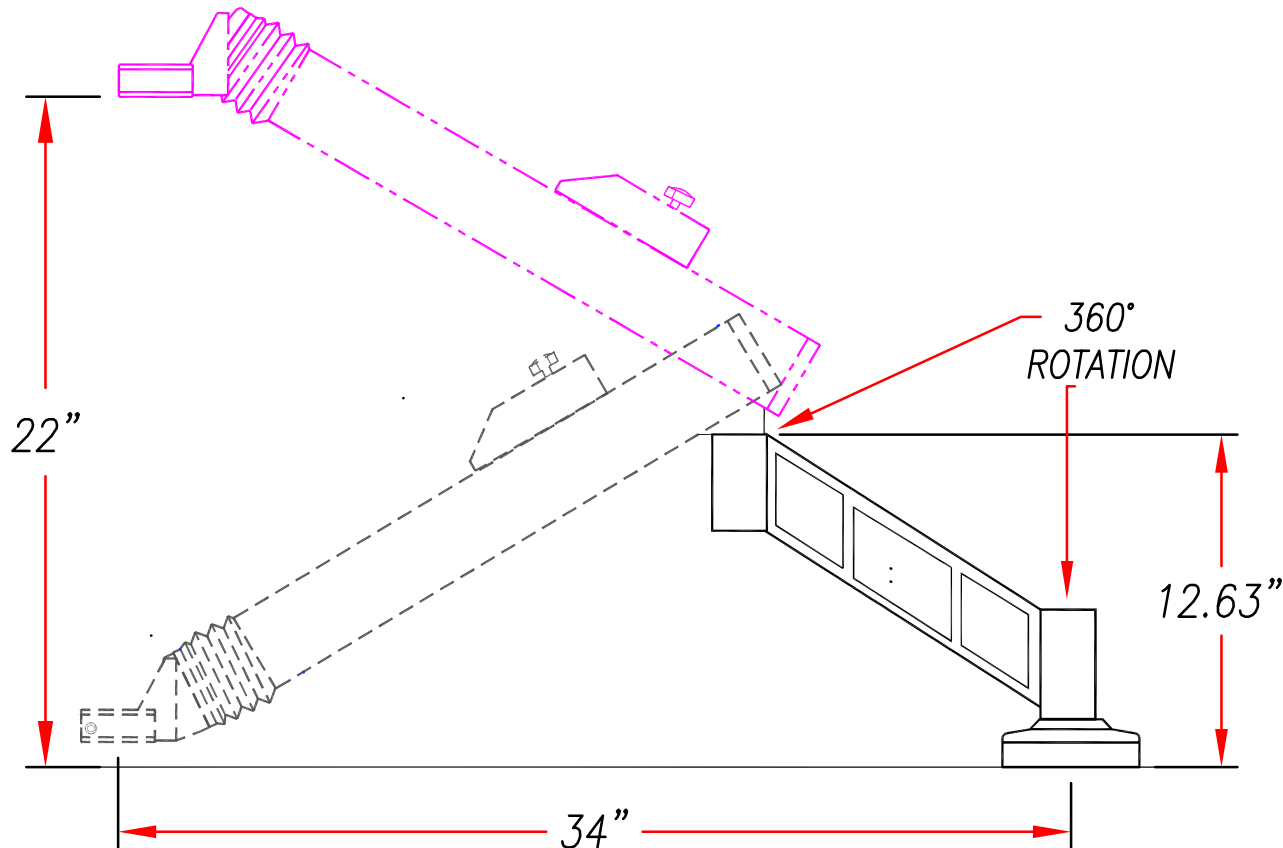
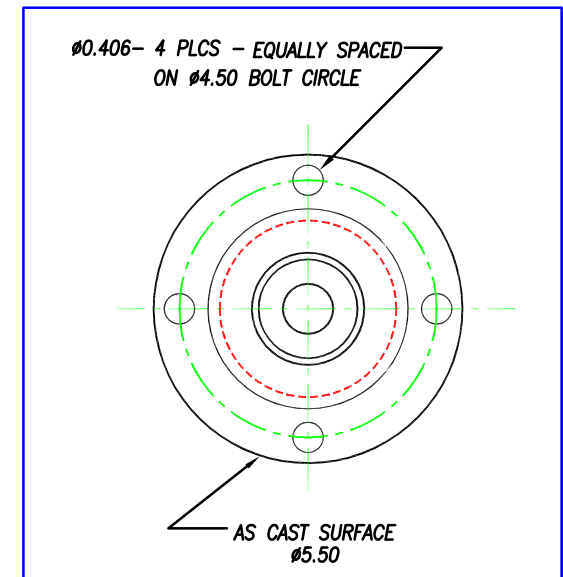


# FLEXARM A-32 ARM ONLY

WORKING RANGE 11"–34"



## BASE MOUNT PATTERN



- \* STANDARD V-BLOCK MOUNT ACCOMMODATES 1"–2" DIAMETER TOOLS
- \* PROVIDE TOTAL WEIGHT TO COUNTER BALANCE WHEN ORDERING
- \* MAX CAPACITY IS 12#