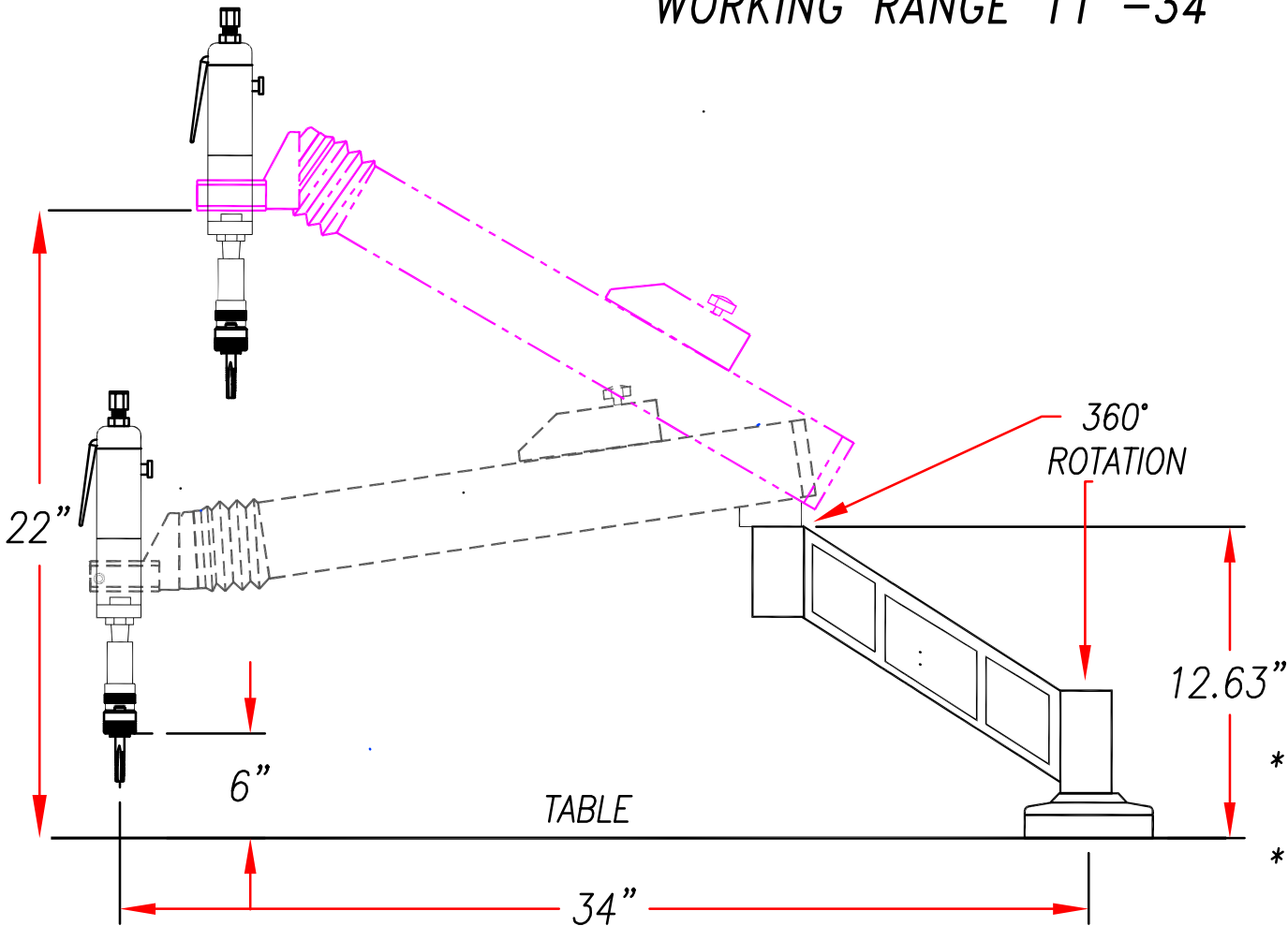
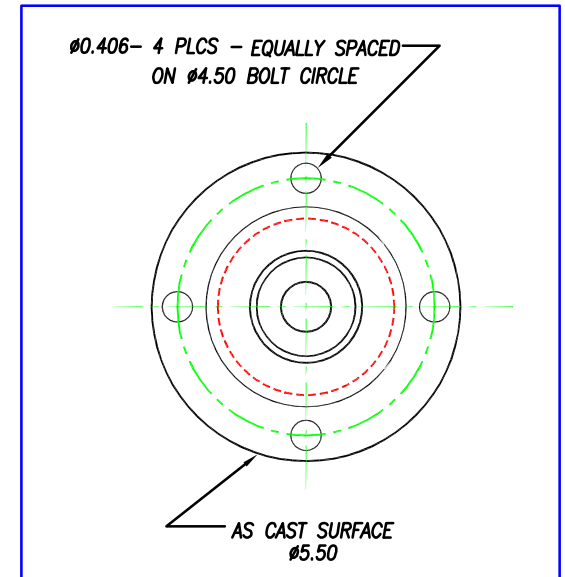


# A-32 FLEXARM TAPPER

WORKING RANGE 11"–34"



## BASE MOUNT PATTERN



- \* STANDARD UNIT INCLUDES MOTOR, HOSE AND FILTER/LUBRICATOR.
- \* ARM INCLUDES ANGLE MOUNT, BASE MOUNT AND MOTOR MOUNT.
- \* MAX TAP CAPACITY IS 9/16" IN MILD STEEL (WITH 400RPM).