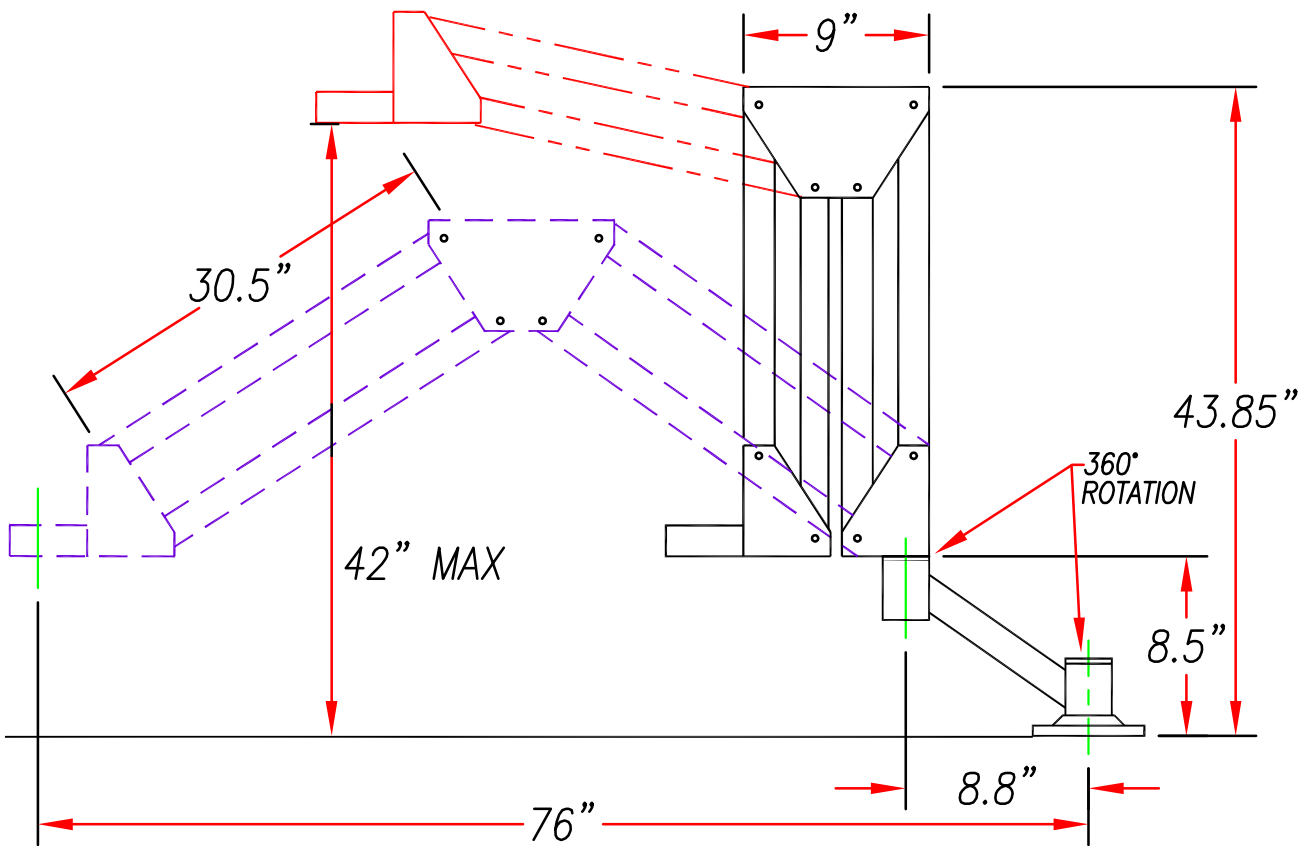
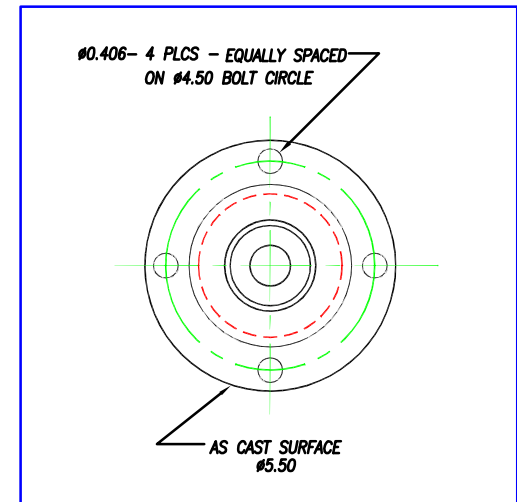


FLEXARM M60 ARM ONLY

WORKING RANGE 22"–76"



BASE MOUNT PATTERN



- * STANDARD V-BLOCK MOUNT ACCOMMODATES 1"-2" DIAMETER TOOLS
- * PROVIDE TOTAL WEIGHT TO COUNTER BALANCE WHEN ORDERING
- * STD CAPACITY IS UP TO 14#