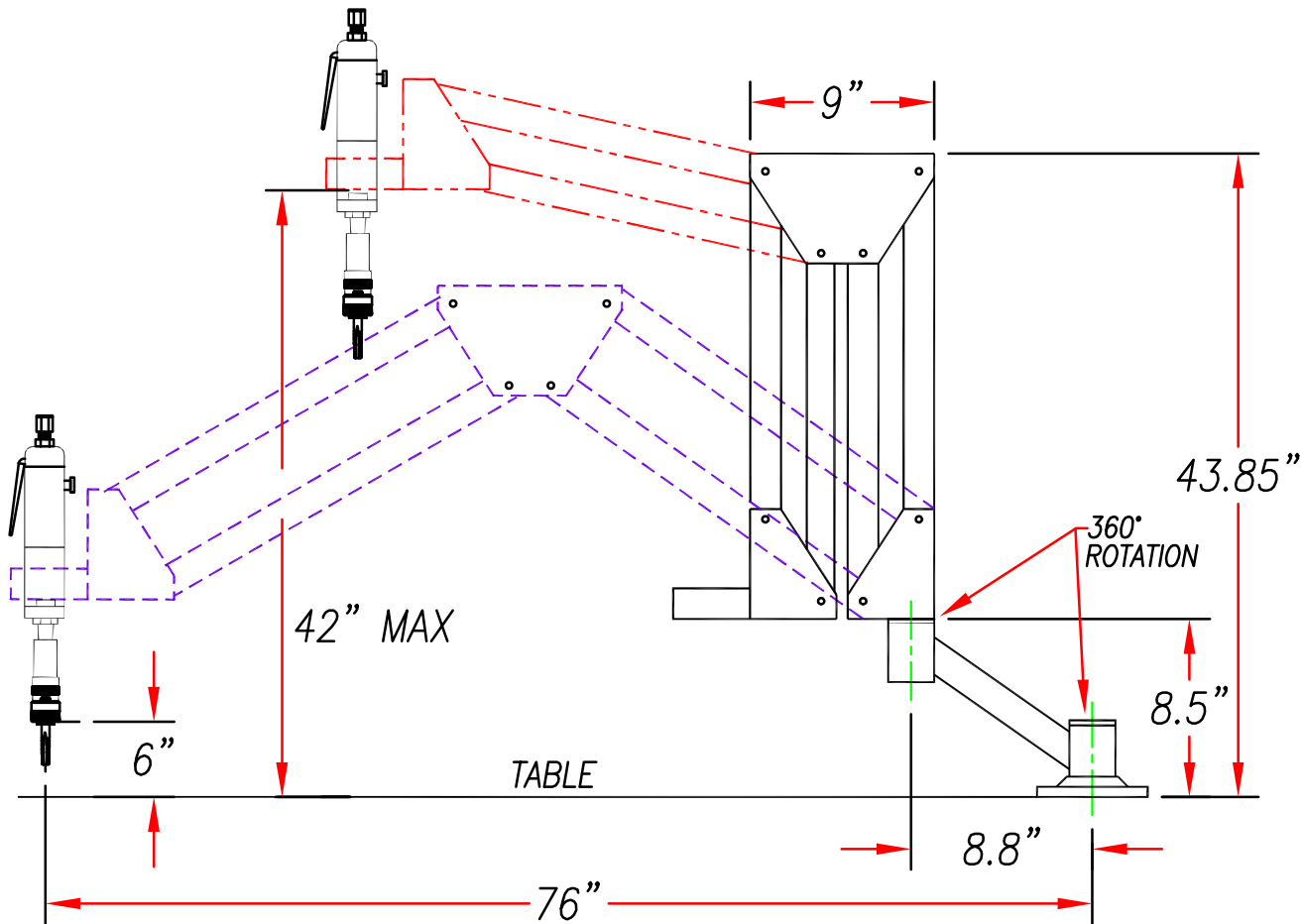
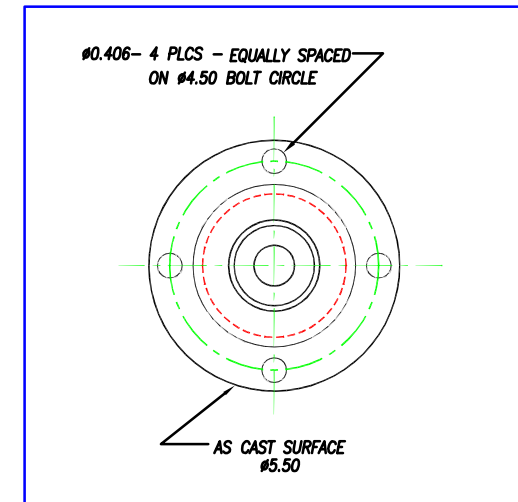


# M60 FLEXARM TAPPER

WORKING RANGE 22"–76"



## BASE MOUNT PATTERN



- \* STANDARD UNIT INCLUDES MOTOR, HOSE AND FILTER/LUBRICATOR.
- \* ARM INCLUDES ANGLE MOUNT, BASE MOUNT AND MOTOR MOUNT.
- \* MAX TAP CAPACITY IS 9/16" WITH 400RPM AND 3/4" WITH 225RPM (IN MILD STEEL)